



# FiberSCAN™ RW

With a laser power rating up to 6 kW, FiberSCAN™ RW uses rotating wedges to create beam spinning at focus for applications such as stir welding, and can also generate full shapes and feature formation up to 48 mm field size.

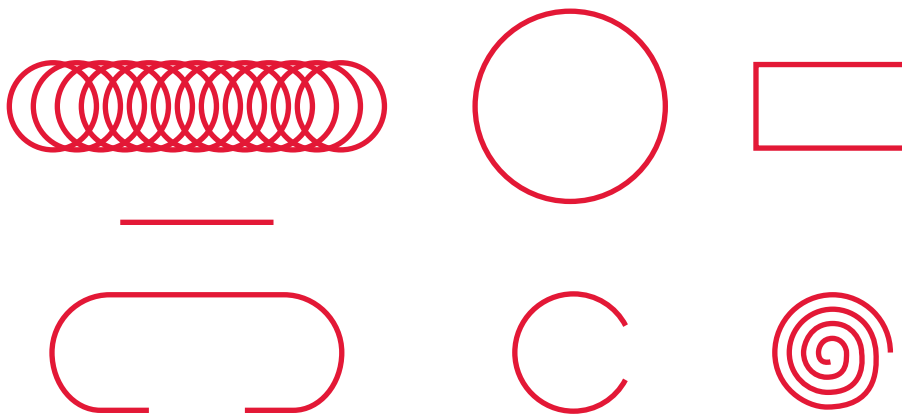
The laser system control communicates with FiberSCAN™ RW's onboard controller via common protocols including discrete I/Os or different Fieldbus options. Nearly any 2D shape is possible and most common shapes are stored in the Shape Commander™ library. As with other Laser Mechanisms' processing heads, FiberSCAN™ RW's software continually monitors the condition of the optical elements in the head; detecting presence, temperature and scattered light.

FiberSCAN™ RW can be integrated with all available fiber connectors (QBH, QD, LCA, etc.) and to any robot or motion system.

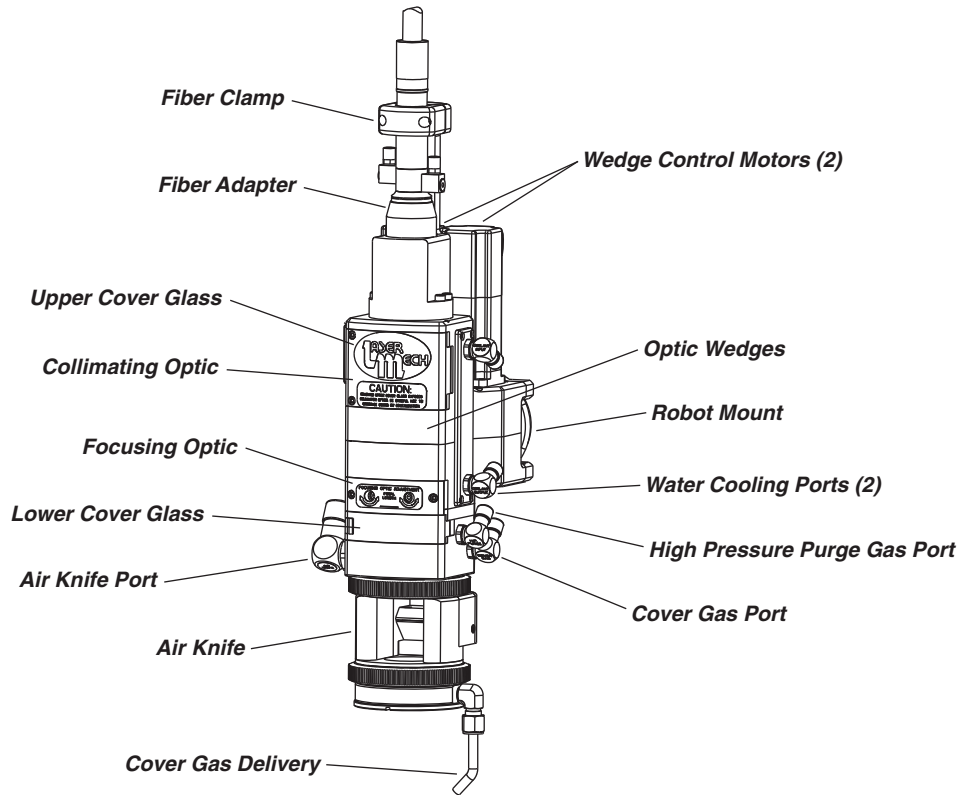


Laser Mechanisms' FiberSCAN™ RW provides high speed, accurate beam scanning in a compact, intuitively-controlled package.

## Shape Commander™ Library



Common shapes shown here are included in the Shape Commander™ library. However, nearly any 2D shape is possible.



## Specifications

PROCESSING HEAD	
Power Rating (Fiber Laser)	up to 6 kW
Beam Diameter (Max. NA 0.12, Full Beam)	23 mm
Focusing Lens (Standard Focal Length)	300 mm
Optional Focal Lengths (Inquire)	250 mm to 500 mm
Focus Lens Diameter	38.1 mm
Collimator Focal Length (Standard)	75 mm
Working Envelope	ø48 mm @ 300 mm FL
Beam Motion (Circles or 2D Shapes)	5° Rotary Wedges
Max. Speed	50 Hz Continuous
Remotely Monitored Functions	Optics Temp., Presence and Position
Air Knife/Cross Jet Rotation	Fixed or 360° Rotation
Copper Aperture (Varies With Pattern)	28 mm
Fiber Connections	QD (LLK-D, LCA), QBH (HLC-8)
Cooling (Room Temperature Water)	1.5 L/min.
Weight (Including Cable, Hoses and Mount Plate)	~7.0 kg
Shape Selection	Shape Commander™ Software
Options	Off-axis Aiming Laser, Camera
CONTROLLER	
Forced-Air Cooled Enclosure (LxWxH)	500 mm x 400 mm x 220 mm
Interfacing	32 Digital + 2 Analog I/Os, Optional Fieldbus: Ethernet/IP, Profinet, DeviceNet
Electrical Supply	85-264 VAC, 1-Phase, 47-63 Hz

Specifications subject to change without notice.



**Laser Mechanisms, Inc.**  
 25325 Regency Drive  
 Novi, Michigan 48375  
 Phone: (248) 474-9480  
 Fax: (248) 474-9277

**Laser Mechanisms Europe NV**  
 Groenestaakstraat 59  
 B-9030 Mariakerke, Belgium  
 Phone: +32 (0)92 18 70 70  
 Fax: +32 (0)92 18 70 79

**Internet**  
 Web: [www.lasermech.com](http://www.lasermech.com)  
 E-Mail: [info@lasermech.com](mailto:info@lasermech.com)